

## Stainless steel submersible drainage pumps for chemically aggressive liquids. Spherical clearance 50 – 70 mm.

### CTP 50, CTP 53, CTP 70

#### Application

HOMA CTP stainless steel submersible drainage pumps are suitable for pumping corrosive, abrasive or chemically aggressive liquids, waste water or sewage and chemicals containing soft solids of 50 - 70 mm diameter. They are used in various domestic, industrial or municipal applications.

**DIN EN 12050-2:** Conformity and design approved and controlled by LGA

**Installation:** Transportable or permanent.

**Pumped liquid:** Drainage water or sewage containing soft solids and chemically aggressive liquids.

PH-valve 3-14. Max. liquid temperature: 40°C, short term up to 60°C. for limitation to lower temperatures see specific chemical resistance of used materials.

**Operation:** Permanent (S1).

#### Design

Fully submersible, compact integrated motor-pump unit consisting of:

**Pump:** Single stage centrifugal pump with horizontal discharge.

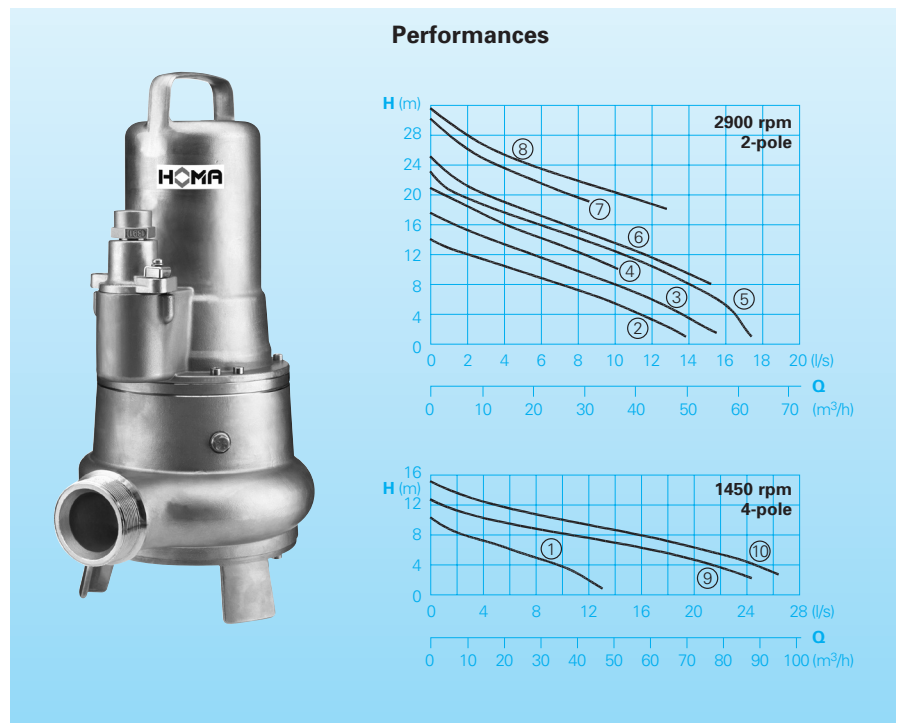
**Impeller:** Closed single channel impeller for liquids containing impurities and sludge with solid particles. Spherical clearance 50 and 70 mm.

**Motor:** Fully submersible, pressure tight electric motor. Insulation class H. Degree of protection IP 68. Thermal sensor embedded in the winding. Cable: H07 RN-F (Plus) 6G1,5 with cable protective hose and longitudinally tight cable trumpet.

**Shaft/Bearing:** Large diameter stainless steel rotor shaft, pre-lubricated bearings.

**Seals:** Combination of two mechanical seals (silicon-carbide/ silicon-carbide) in separate oil chamber. Oil inspection from outside.

**Explosion proof:** All Pump types also with explosion proof motors according to  $\text{Ex II 2 G Ex c d II B T4(T3)}$  available.



#### Technical Data

Curve No.	Pump typ	Motor Input P <sub>1</sub> (kW)	Motor Output P <sub>2</sub> (kW)	Speed (rpm)	Nominal current (A)	Spherical clearance (mm)	Discharge	Weight (kg)
①	CTP 50 (53) M 13/4 D (Ex)	1,3	1,0	1450	2,6	50	G 2½(3) M	39
②	CTP 50 (53) M 19/2 D (Ex)	1,9	1,5	2800	4,0	50	G 2½(3) M	39
③	CTP 50 (53) M 23/2 D (Ex)	2,3	1,8	2800	4,4	50	G 2½(3) M	39
④	CTP 50 (53) M 24/2 D (Ex)	2,4	1,9	2800	4,6	50	G 2½(3) M	39
⑤	CTP 50 (53) M 34/2 D (Ex)	3,4	2,8	2800	6,9	50	G 2½(3) M	51
⑥	CTP 50 (53) M 35/2 D (Ex)	3,5	2,8	2800	7,1	50	G 2½(3) M	51
⑦	CTP 50 (53) M 35/2 HD (Ex)	3,5	2,8	2800	7,1	50	G 2½(3) M	51
⑧	CTP 50 (53) M 50/2 D	5,2	4,4	2800	8,7	50	G 2½(3) M	62
⑨	CTP 70 M 26/4 D (Ex)	2,5	2,0	1450	5,4	70	DN 80	65
⑩	CTP 70 M 31/4 D (Ex)	3,2	2,5	1450	6,1	70	DN 80	65

**Voltage:** 400-415V/3Ph

**Model Ex:** explosion proof

#### Materials

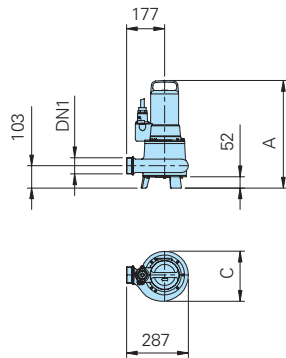
Pump housing, motor housing	Stainless steel 1.4436
Rotor shaft, wear ring mechanical connection parts	Stainless steel 1.4571
O-Ringe	FPM (Viton)
Mechanical seals	SiC / SiC, FPM (Viton)
Cable protective hose	Polyolefin
Impeller CTP 50, CTP 53	Stainless steel 1.4436
Impeller CTP 70	Stainless steel 1.4571

#### Equipment supplied

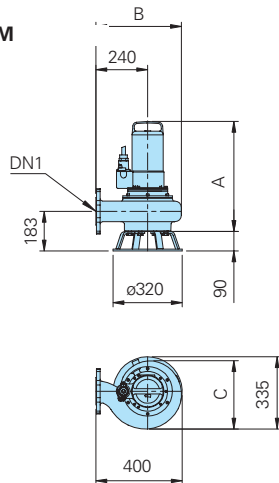
Pumps with base stand (CTP50 und CTP53). Base stand for CTP70 available as accessories. 10 m of cable, 5 m cable protective hose. Control boxes DT32; DA10/32; DA 10/12; DZ12 available as accessories.

## Dimensions and Installations (all dimensions in mm)

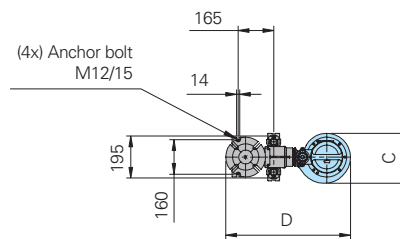
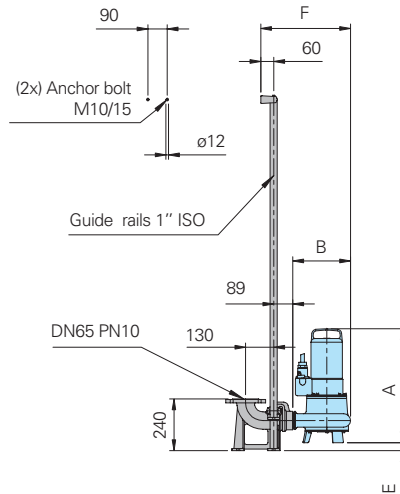
### CTP50M CTP53M



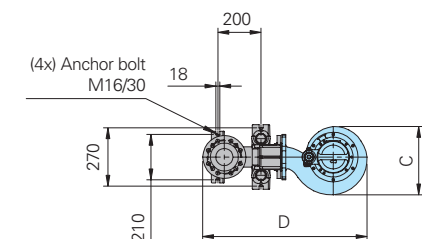
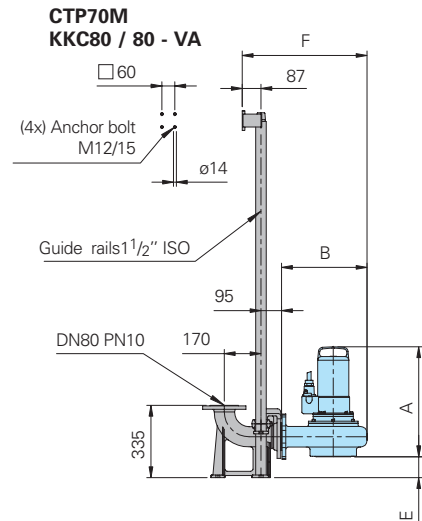
### CTP70M



### CTP50M KKC65 / R 2½" - VA

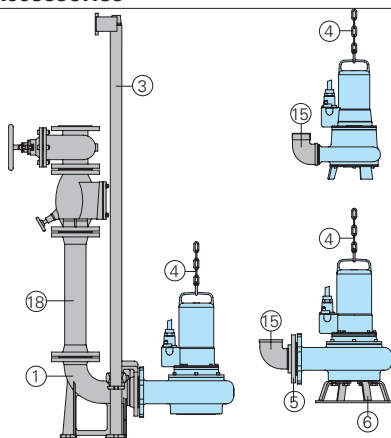


### CTP53M KKC80 / R 3" - VA



Pump typ	DN1	A max	B	C	D	E	F
CTP 50 M 13/4 D (Ex)	G 2½ AG	498	267	232	579	37	416
CTP 50 M (19-24)/2 D (Ex)	G 2½ AG	498	267	232	579	37	416
CTP 50 M (34-35)/2 D (Ex)	G 2½ AG	529	267	232	579	37	416
CTP 50 M 35/2 HD (Ex)	G 2½ AG	529	267	232	579	37	416
CTP 50 M 50/2 D (Ex)	G 2½ AG	567	267	232	579	37	416
CTP 53 M 13/4 D (Ex)	G 3 AG	498	291	232	656	87	473
CTP 53 M (19-24)/2 D (Ex)	G 3 AG	498	291	232	656	87	473
CTP 53 M (34-35)/2 D (Ex)	G 3 AG	529	291	232	656	87	473
CTP 53 M 35/2 HD (Ex)	G 3 AG	529	291	232	656	87	473
CTP 53 M 50/2 D	G 3 AG	567	291	232	656	87	473
CTP 70 M (26-31)/4 D (Ex)	DN80 PN10	511	397	317	762	97	579

## Accessories



Part Description	Dimension	Part No.	Part Description	Dimension	Part No.
① Auto-coupling system from stainless steel 1.4436, consisting of auto coupling with flange, flange pump coupling and upper slide rail bracket			④ Lifting chain, proved capacity up 200 kg division 984 mm, 4x12 with eyelet 2m long		2800371
- Type KKC 65/R2½"	DN 65/BSP2½"	8604017	special lengths		on request
- Type KKC 80/R3"	DN 80/BSP3"	8604037	Shackle stainless steel	load capacity 400 kg	2801360
- Type KKC 80/80	DN 80	8604027	⑥ Base stand for CTP 70 stainless steel 1.4571		7321344
○ Auto-coupling system complete or partial in stainless steel	all types	on request	⑮ Elbow 90° stainless steel 1.4401	BSP2½" F/M BSP3" F/M	2111826 2111827
○ Screw-kits for installation of auto coupling system		on request	⑱ Stainless steel or plastic dischargepipe and fitting		on request
○ Slide rail fixing bracket	Ø 1" for KKC65 Ø 1½" for KKC80	7322085 7323854A	○ Pump controls and control panels for permanent or transportable installation, level controllers and monitoring devices		see HOMA-accessories
③ Guide rails, stainless steel 1.4571 pair, per m	dia.1" for KKC65 dia.1½" for KKC80	2190252 2190254			



HOMA Pumpenfabrik GmbH  
P.O.Box 22 63, D-53814 Neunk.-Seelscheid  
Tel. +49 (0) 22 47 / 702-0, Fax +49 (0) 22 47 / 702-44  
e-mail: info@homa-pumpen.de  
www.homapumps.com